

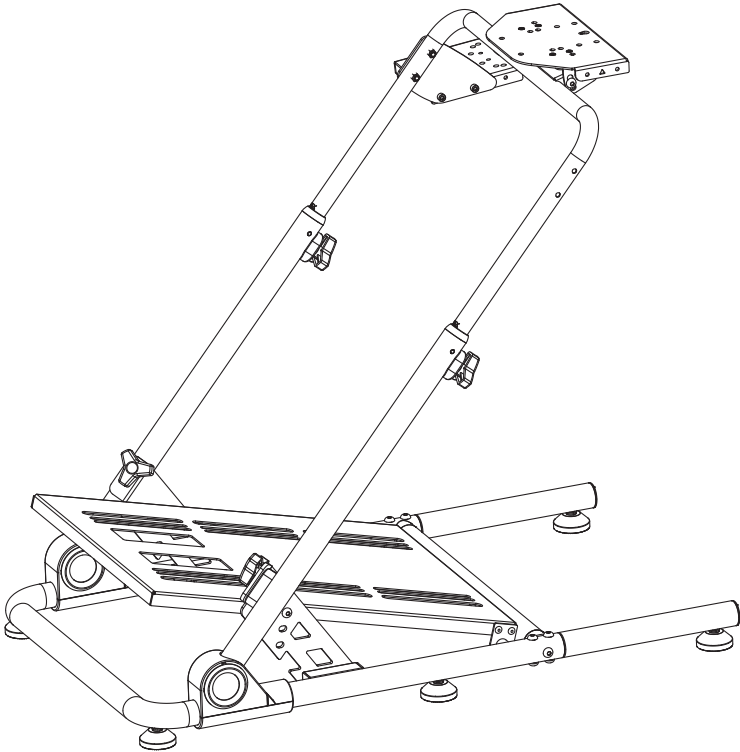
FIREBASE

RS04

RACING SIMULATOR

INSTRUCTION MANUAL

ADXRS0425



ADX 

Safety Warnings

Read all the instructions carefully before using the unit and keep them for future reference. Retain the manual. If you pass the unit onto a third party, make sure to include this safety and the instruction manual.

Caution!

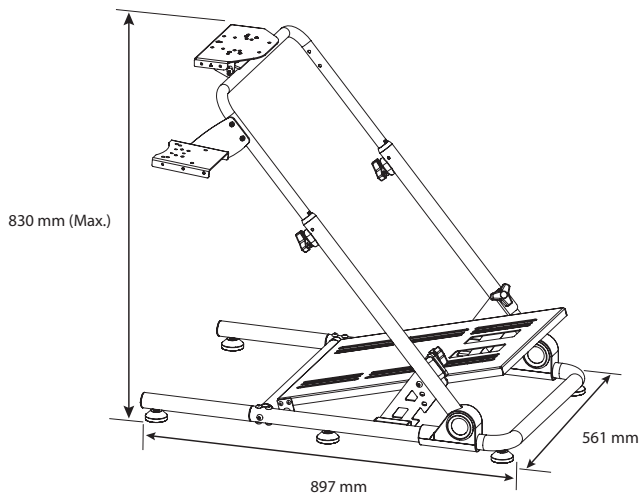
- After unpacking, make sure the product is complete and undamaged.
- Keep all packaging material (plastic bags, polystyrene foam) out of reach of children.
- Use the product on a flat surface.
- Do not use the product in case of obvious damage.

Warnings!

- Only use this product when fully assembled.
- Do not overload your unit.
- Do not tilt the unit or lean over the sides – always ensure all casters are firmly placed on a level surface.
- Children should not play with the unit.
- Do not sit on the armrests.
- Do not lean over the armrests. This could cause the product to become unbalanced and result in injury.
- Always use the unit on a flat, stable surface to prevent injury.
- Do not use on slippery floor.
- Do not stand on the unit.
- If the damaged product is irreparable please dispose of the product. Using a damaged product may lead to personal injury.
- This product is intended for indoor household use.
- Do not put your fingers into the gaps of revolving parts.
- Fastening parts and wearing parts should regularly be checked for tightness and abrasion.
- To clean the unit, wipe the surface with a slightly moist, lint-free cloth.
- Do not use any cleaning fluids containing alcohol, ammonia or abrasives.
- Keep the original packaging for any future transporting requirements.
- Instruction manual needs to be kept for further inquiries and references.
- Do not leave your child unsupervised.
- Fully extend the expandable poles after placing the unit on the floor.
- After folding the unit, make sure that it is securely bound with the holding strap.
- While unlocking the steering wheel stand, make sure that the steering wheel support is securely locked.
- Secure the locks after making any adjustments.
- Make sure that user is out of the unit while adjusting the seat position.

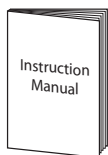
CUSTOMER HELPLINE (UK Customers Only)

0344 561 1234

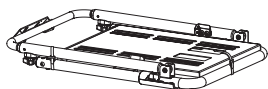


20 kg

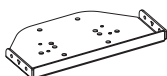
Max loading capacity



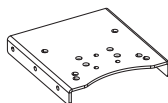
A × 1



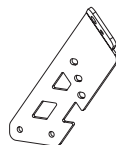
B × 1



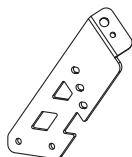
C × 1



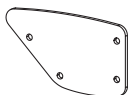
D × 1



E × 1



F × 1



G × 4



H × 2



I × 2



J × 2



K × 4



M4 × 6

L × 2



M6 × 35

M × 2



M6 × 12

N × 14



M8 × 16

O × 2



D6

P × 2



M6

Q × 6



R × 1



S × 1



T × 2



U × 2



V × 10

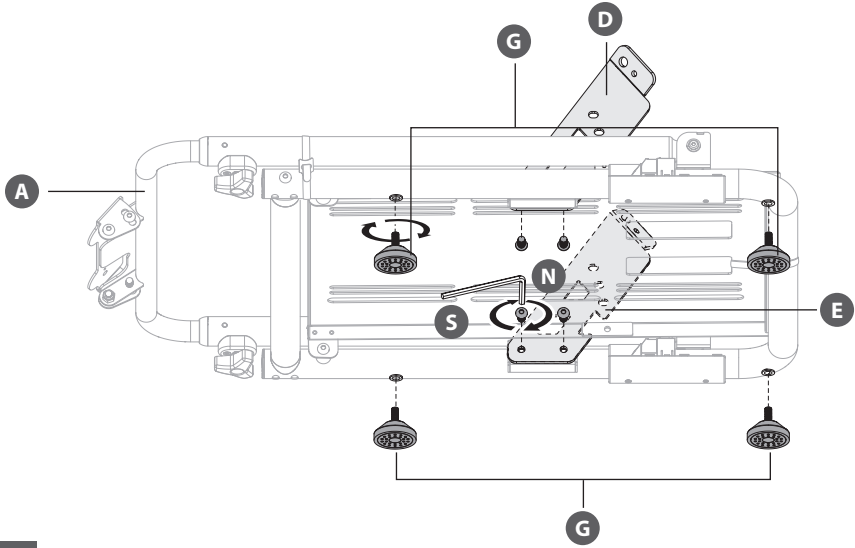


M6 × 20

For installing steering wheel
and gear shifter (not included)

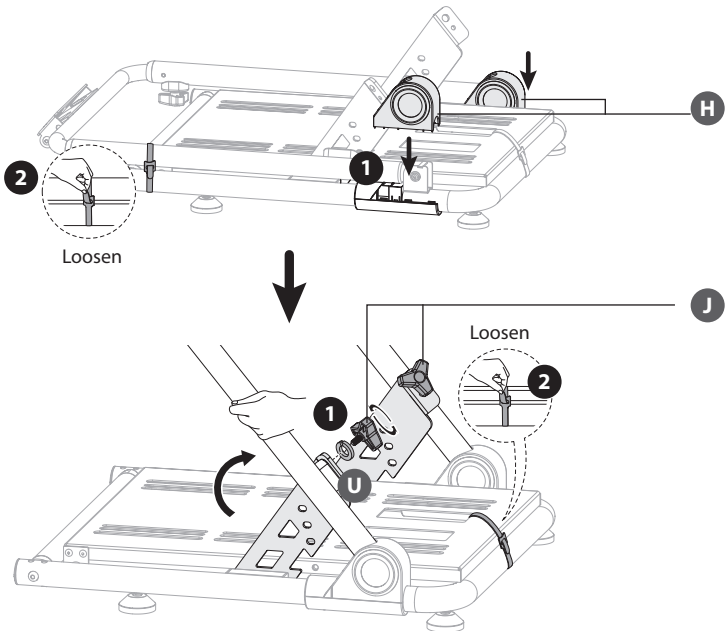
1

Install the Leveling Feet and Supporting Plates



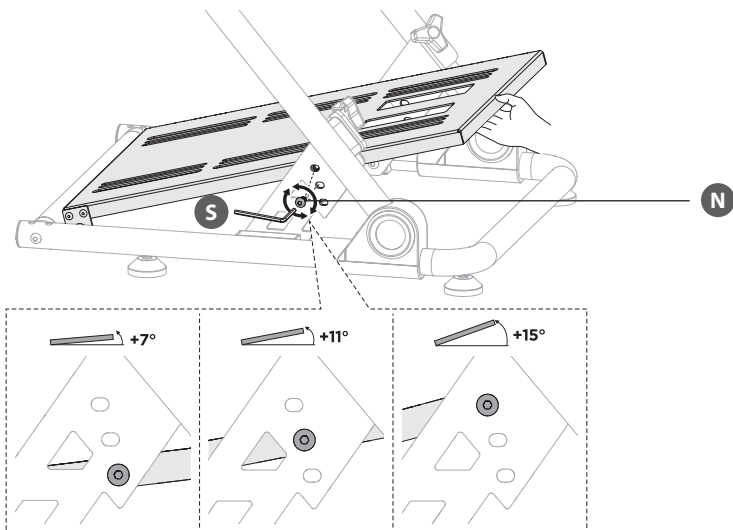
2

Release the Supporting Poles



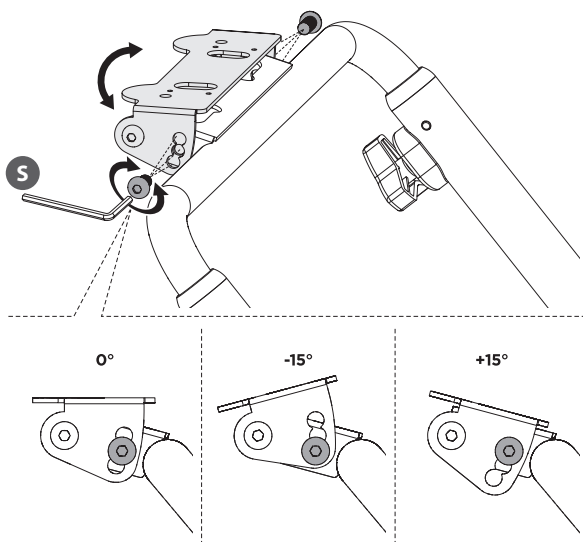
3

Adjust the Step Plate's Angle



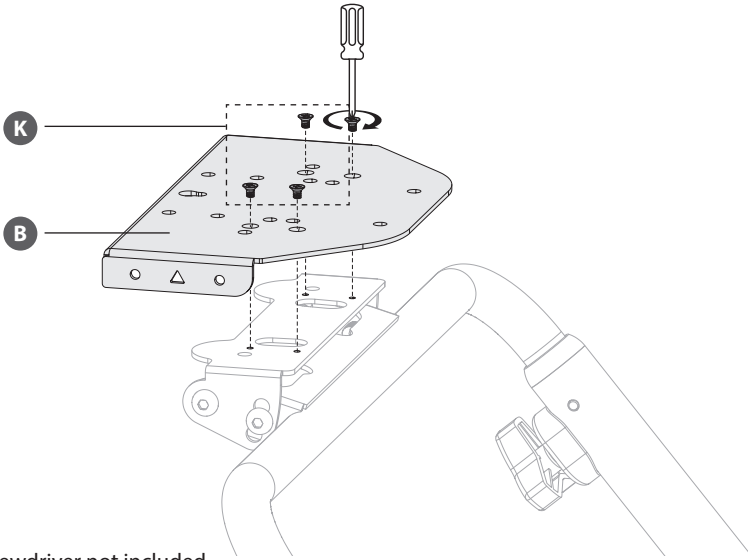
4

Install and Adjust the Steering Wheel Support



5

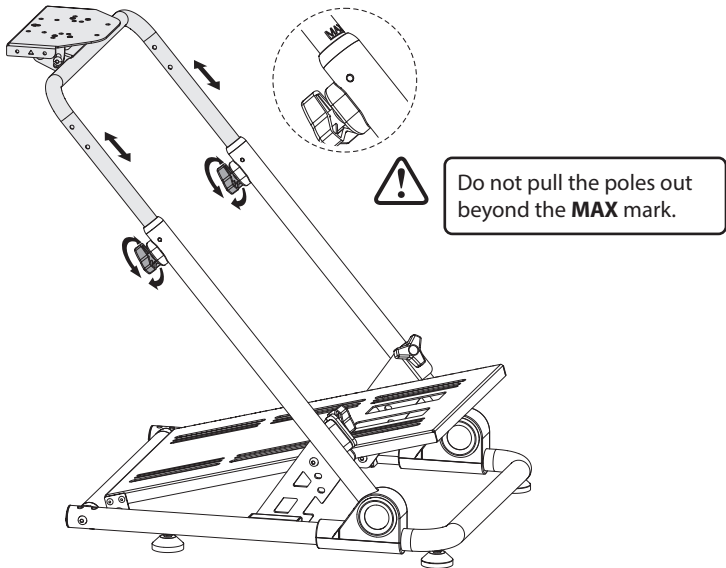
Install the Steering Wheel Support Plate



*Screwdriver not included

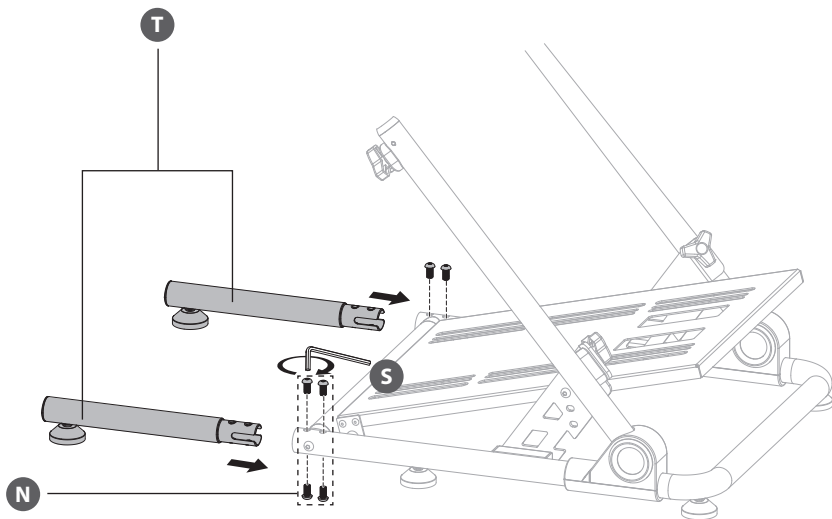
6

Height Adjustment



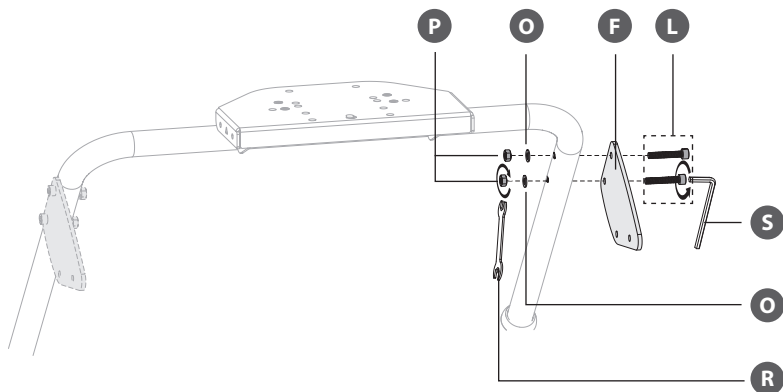
7

Install the Extended Beam Supports



8

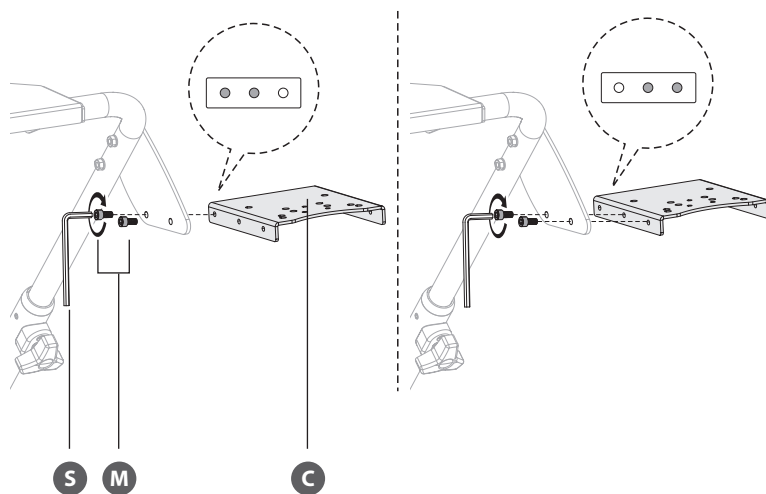
Install the Gear Shift Mount



Install the gear shift mount on either the left or right side, depending on your preference.

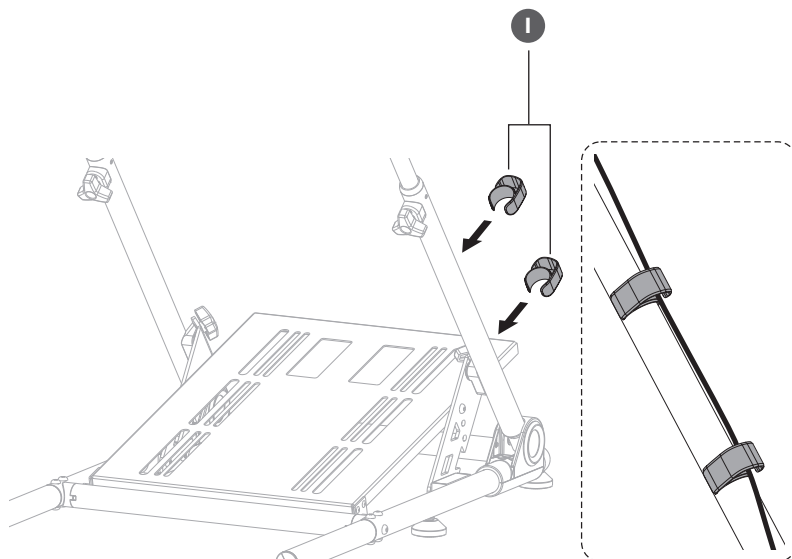
9

Install the Gear Shift Mount (cont')



10

Install the cable clips

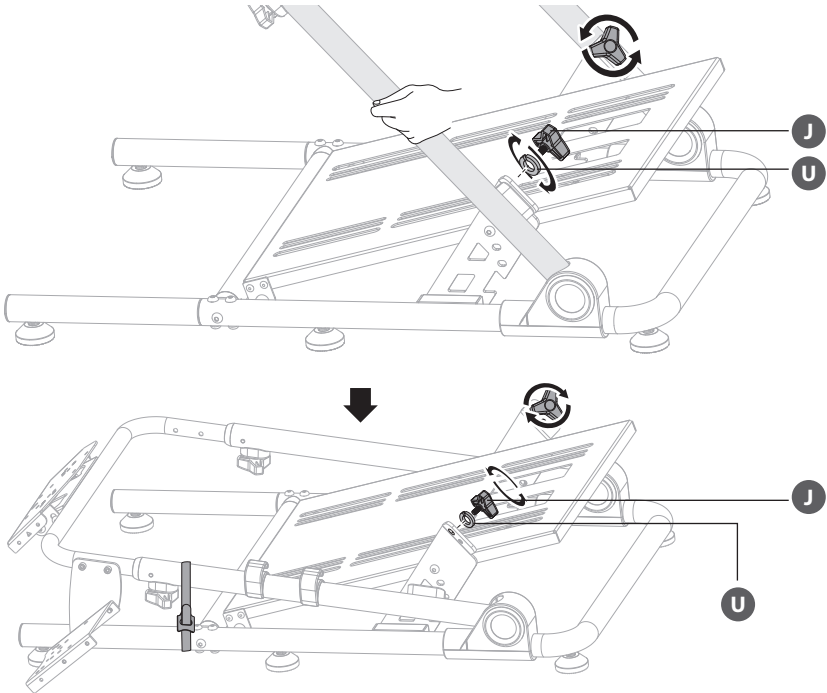


Storage

Fold the Racing Simulator



When releasing the knobs, hold the pole with one hand to prevent it from falling.



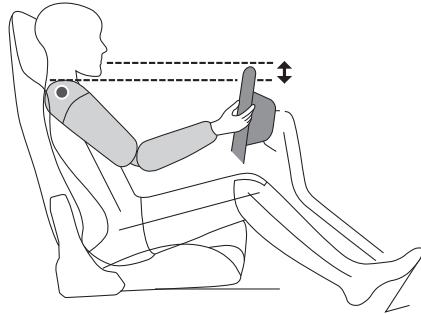
Ideal Seat Position



You may also need to buy a steering wheel and gear shifter to complete your installation.

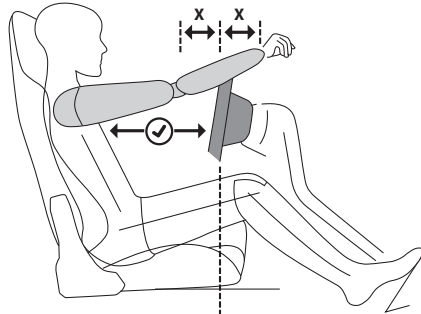
Shoulders Height Level

The top of the steering wheel should be slightly higher than your shoulders.



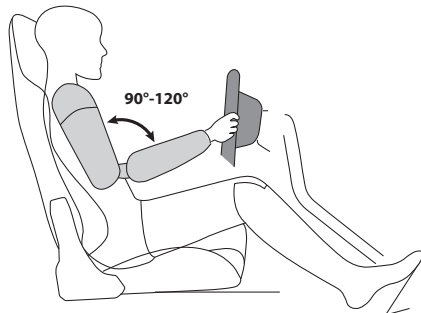
Arm Distance to the Steering Wheel

For optimal comfort and control, it is recommended that you are able to rest at the midpoint of your forearm on the top of the steering wheel.



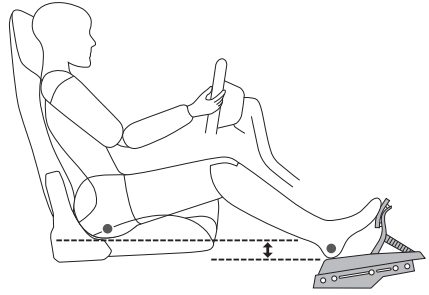
Arms Bending Angles

While holding the steering wheel, make sure that you are able to bend your arms between 90° and 120°.



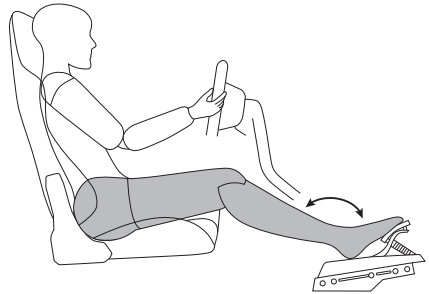
Seat Height Level

The seat surface should be slightly higher than your heels while placing your feet onto the pedal.



Press the Pedal

After positioning your foot on the pedal, make sure that you can fully press it without stretching your leg.



Currys.co.uk

All the support you need.

Whether it's a tech emergency or
you need plain good advice, we're
always on hand to help.

UK: 0344 561 1234

IRE: 0818 810575

Partmaster
_____.co.uk

Visit Partmaster.co.uk today for the easiest way to buy electrical spares and accessories.
With over 1 million spares and accessories available we can deliver direct to your door
the very next day. Visit www.partmaster.co.uk or call **0344 800 3456** (UK customers only).
Calls charged at National Rate.

UK Representative and Responsible Person

Currys Group Limited (No. 504877)
1 Portal Way, London, W3 6RS, UK
<https://www.currys.co.uk>

EU Representative and Responsible Person

Currys Ireland Limited (No. 259460)
3rd Floor Office Suite, Omni Park SC,
Santry, Dublin 9, Republic of Ireland
<https://www.currys.ie>

UK & EU Contact details: business.standards@currys.co.uk